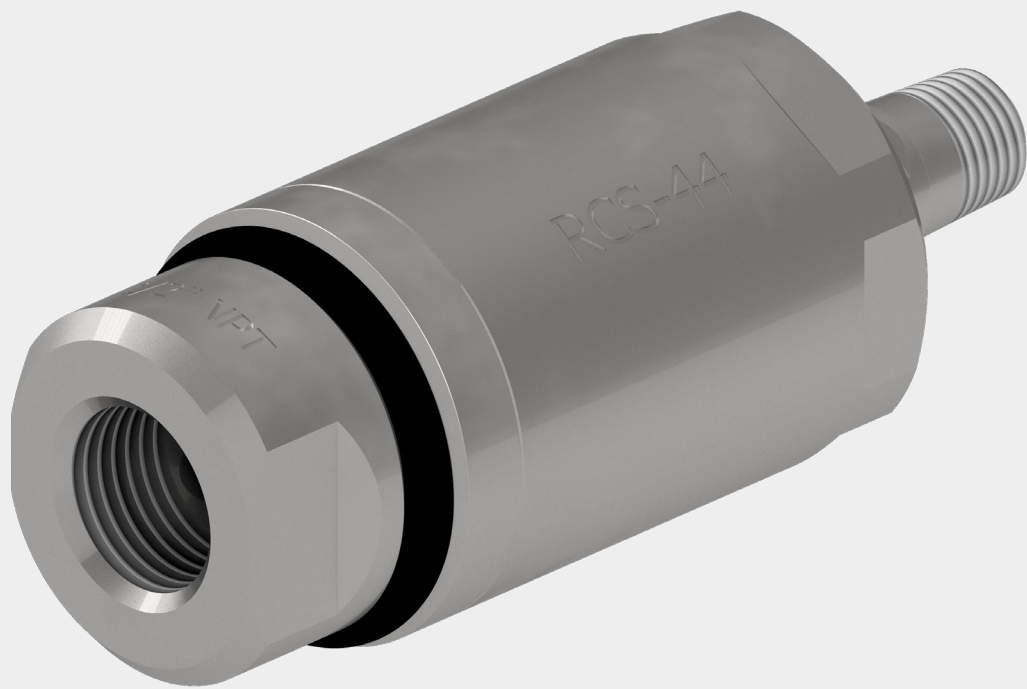




DERC
SALOTECH

INNOVATION AS CORE



DERC Rotary Coupling Swivel RCS 44

- + RUGGED DESIGN BUILD TO LAST
- + STAINLESS STEEL CONSTRUCTION
- + LOW MAINTENANCE
- + MAX. WORKING PRESSURE 1500 BAR

**MADE BY
DERC**

LOW MAINTENANCE, EASY TO MAINTAIN

DERC RCS 44

DERC RCS 44 swivels are designed to transport high pressure water from a stationary line to a rotating or twisting assembly. They feature replaceable seals, heavy duty ball bearings, a stainless steel construction and a low static torque for easy rotation. The DERC RCS 44 swivels are low maintenance due to life lubricated bearings, no need to add grease. They are installed as standard equipment on our lancing machines and are available with either 0° or 90° inlets.

FEATURES

- + Replaceable seals
- + Lifetime lubricated ball bearings
- + Low static torque for easy rotation
- + Stainless steel construction
- + 0° or 90° inlet connection
- + Common metric wrench sizes
- + NPT, metric and UNF threadings available
- + Up to 600 RPM

APPLICATIONS

- + Lancing machines
- + Hose reels
- + Rotating equipment



MAINTENANCE KITS

	Part nr.
Major kit RCS 44 1500 bar	RCS-44-1500-300
Minor kit RCS 44 1500 bar	RCS-44-1500-100
Major kit RCS 44 1000 bar	RCS-44-300
Minor kit RCS 44 1000 bar	RCS-44-100

DERC RCS-44

Inlet connection	Shaft connection	Diameter	Length	Max. pressure	Max. flow	Part nr.
1/2" NPT F	1/4" NPT M	44 mm	115 mm	1000 bar	140 l/min	RCS-44-12NF.14NM
13/16" UNF F	9/16" UNF LH M	44 mm	155 mm	1500 bar	100 l/min	RCS-44-916MP
M24 x 1.5 M	9/16" UNF LH M	44mm	175 mm	1500 bar	100 l/min	RCS-44-24M.916UML
13/16" UNF F	9/16" UNF LH M	44 mm	150 mm	1500 bar	100 l/min	RCS-44-916MP-90°

DERC SALOTECH – ORIGINAL EQUIPMENT MANUFACTURER AND SUPPLIER OF INNOVATIVE HIGH PRESSURE WATER JETTING SOLUTIONS, AUTOMATED EQUIPMENT AND ACCESSORIES. WE PROVIDE STATE OF THE ART KNOWLEDGE AND SERVICES.